



erluna

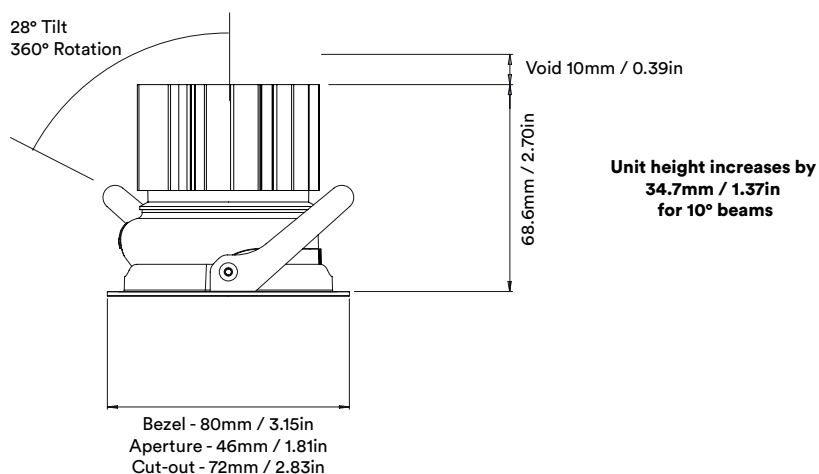
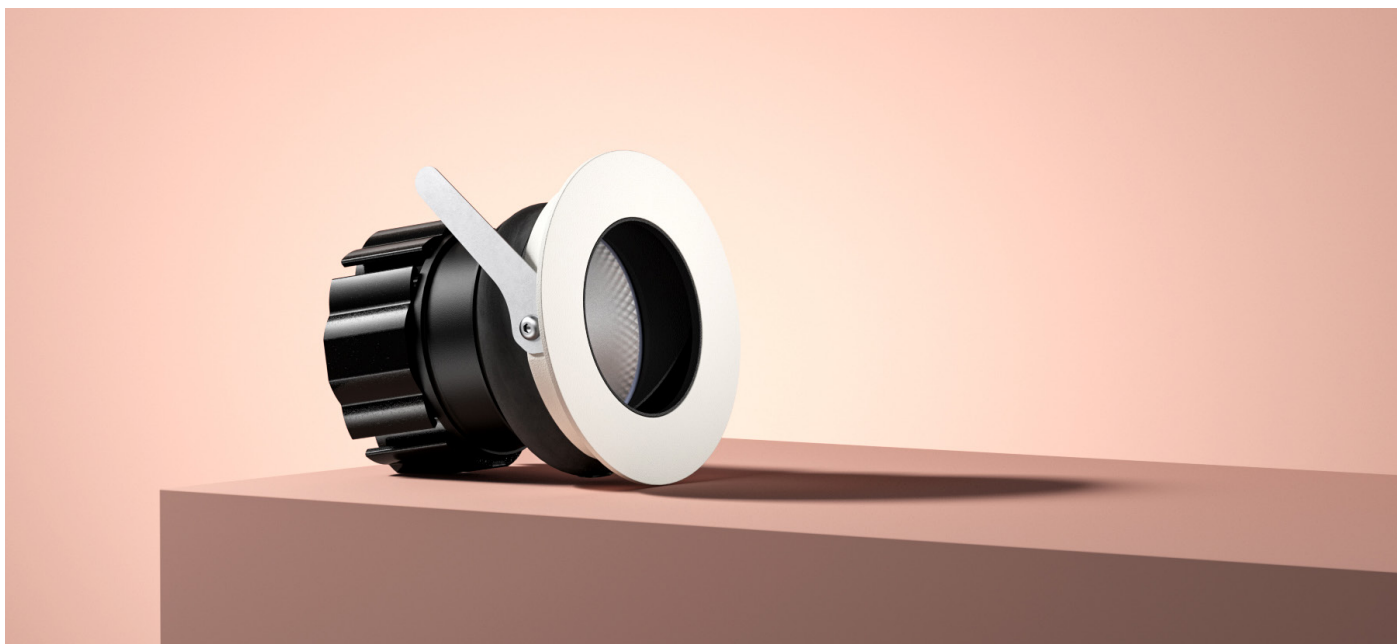
**one adjustable
origin
high output**

circular product

  IP65
IP54  

**one adjustable
origin high output**

circular product



one adjustable origin high output

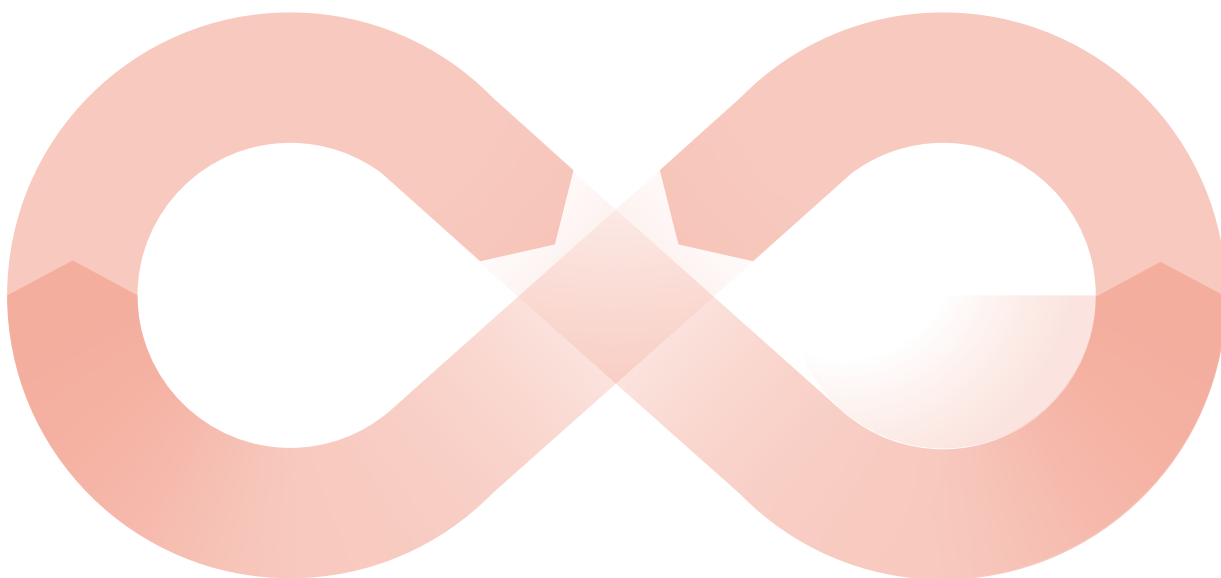
circular product

When an old Orluna light comes to the end of its life, or is faulty, instead of throwing it away, we kindly ask you to return it to us.

1

The fully repaired and tested product enters back into our stock – with a brand new warranty.

3



The 'new' light fitting is despatched to a new customer.

4

Once we've received the unwanted or faulty fitting, it's dismantled, repaired and renewed with a new LED and PCB.

2



one adjustable origin high output

circular product

| | | 2700K | | | | |
|--------------|---------------------|-------|--------|--------|------|-------|
| | | SPOT | SOFT | | | |
| LIGHT VALUES | | Spot | Narrow | Medium | Wide | Flood |
| | Beam Width FWHM | 10° | 19° | 26° | 34° | 52° |
| | Initial Lumens | 893 | 1281 | 1281 | 1281 | 1281 |
| | Engine Lumens | 295 | 1067 | 1041 | 1038 | 1091 |
| | Luminaire Lumens | 256 | 949 | 934 | 931 | 896 |
| | Engine Lm/W | 24 | 85 | 83 | 83 | 87 |
| | Luminaire Cd | 7017 | 6375 | 3689 | 2555 | 1456 |
| POWER | Voltage | 36V | 34V | | | |
| | Drive Current | 300mA | 325mA | | | |
| | Circuit Power (typ) | 12.2W | 12.5W | | | |

| | | 3000K | | | | |
|--------------|---------------------|-------|--------|--------|------|-------|
| | | SPOT | SOFT | | | |
| LIGHT VALUES | | Spot | Narrow | Medium | Wide | Flood |
| | Beam Width FWHM | 10° | 19° | 25° | 34° | 52° |
| | Initial Lumens | 935 | 1365 | 1365 | 1365 | 1365 |
| | Engine Lumens | 302 | 1112 | 1081 | 1091 | 1161 |
| | Luminaire Lumens | 302 | 1021 | 979 | 988 | 949 |
| | Engine Lm/W | 25 | 89 | 86 | 87 | 93 |
| | Luminaire Cd | 7644 | 6705 | 3926 | 2693 | 1535 |
| POWER | Voltage | 36V | 34V | | | |
| | Drive Current | 300mA | 325mA | | | |
| | Circuit Power (typ) | 12.2W | 12.5W | | | |

| | |
|--------------------|------------------------------------|
| Binning SDCM (Hot) | 2 |
| CRI (typ)(R9) | 98 (99) |
| TM30 Rf Rg | Rf 93.8 Rg 101.9 |
| Lifetime (TM21) | L90 B5 50,000hrs (inc driver) |
| Protocols | Mains Dim / DALI / 0-10V / Non-dim |
| Dim to Dark | 0.1% Lux |
| Distance from LED | 20m / 65' (series wiring) |
| Emergency | Emergency packs available |

SPECIFICATION CODE

| Engine type | Bezel | Colour Temp | Driver | Beam Width | Bezel Colour | Baffle Colour | Options |
|-------------|--------------|--------------------------|--|---|---|--|---|
| OH | -ONE- | 27 | M | M | - W - | BB | - F 54 E |
| | | 27 / 2700K 30 / 3000K | M / Mains Dim D / DALI 0 / 0-10v N / Non Dim X / No Driver | S / Spot N / Narrow M / Medium W / Wide F / Flood | W / White RAL 9010 D / White RAL 9003 E / White RAL 9016 B / Black RAL 9005 C / Other RAL G / Polished Brass J / Antique Bronze K / Brushed Chrome L / Polished Chrome I / Polished Copper Z / Other Metallic | BB / Black 9005 WB / White 9010 DB / White 9003 EB / White 9016 CB / Other RAL MB / Polished Brass JB / Antique Bronze KB / Brushed Chrome LB / Polished Chrome IB / Polished Copper ZB / Other Metallic | F / 60 min Fire Rated Plate 54 / IP54 65 / IP65 P / Sea & Spa IP65 *C / Constant Torsion T / Lockable Tilt & Rotate J / Plaster-In Plate E / 3hr Emergency H / Honeycomb N / Frosted Lens Z / LSZH Cable K / Click Connector |

*NOTE: Fire Hood if used with constant torsion springs