

erluna

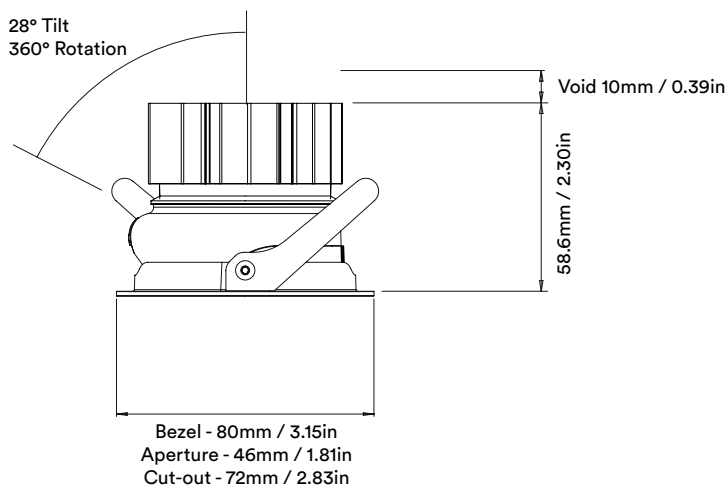
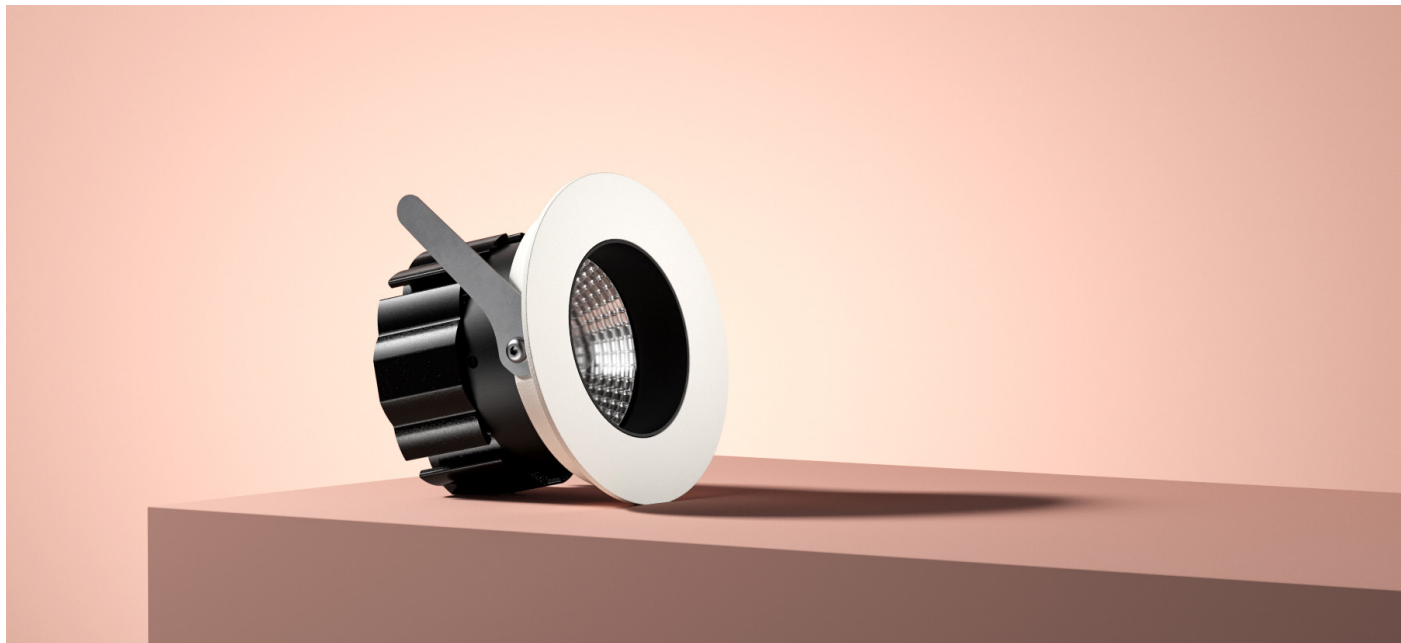
**one adjustable
origin natural
high efficiency**

circular product



one adjustable
origin natural high efficiency

circular product



one adjustable origin natural high efficiency

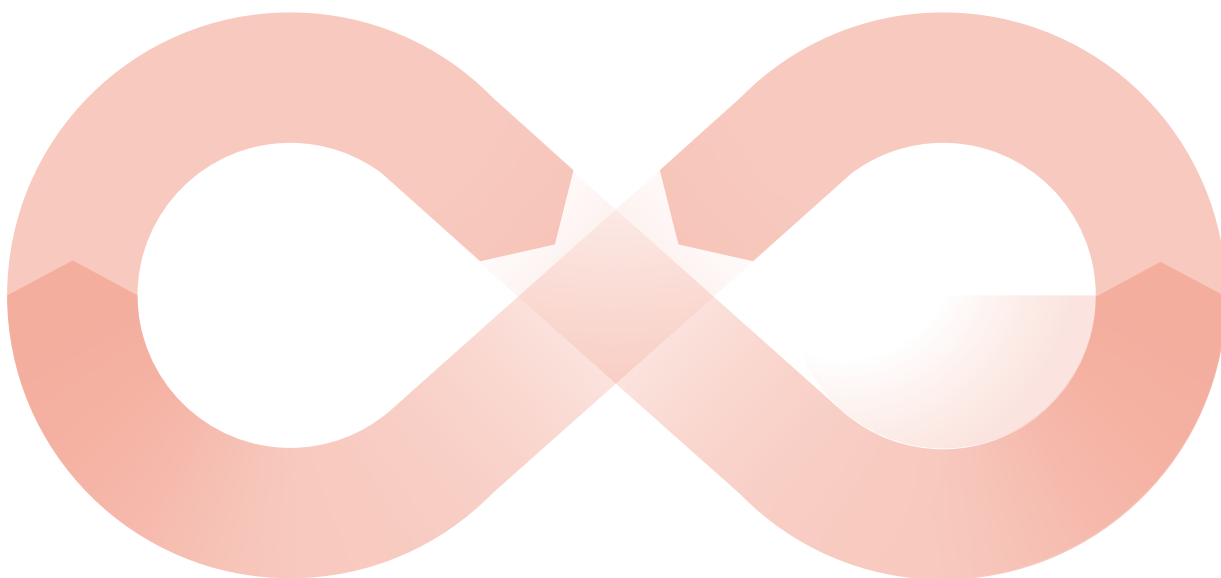
circular product

When an old Orluna light comes to the end of its life, or is faulty, instead of throwing it away, we kindly ask you to return it to us.

1

3

The fully repaired and tested product enters back into our stock –with a brand new warranty.



The 'new' light fitting is despatched to a new customer.

4

2

Once we've received the unwanted or faulty fitting, it's dismantled, repaired and renewed with a new LED and PCB.



one adjustable origin natural high efficiency

circular product

		2700K			
		SOFT			
LIGHT VALUES		Narrow	Medium	Wide	Flood
	Beam Width FWHM	19°	25°	34°	52°
	Initial Lumens	831	831	831	831
	Engine Lumens	687	686	670	718
	Luminaire Lumens	637	606	613	593
	Engine Lm/W	80	80	78	83
	Luminaire Cd	4282	2471	1691	960
POWER	Voltage	34V			
	Drive Current	225mA			
	Circuit Power (typ)	8.6W			

		3000K			
		SOFT			
LIGHT VALUES		Narrow	Medium	Wide	Flood
	Beam Width FWHM	18°	25°	35°	52°
	Initial Lumens	858	858	858	858
	Engine Lumens	708	709	690	738
	Luminaire Lumens	641	620	636	600
	Engine Lm/W	82	82	80	86
	Luminaire Cd	4449	2485	1699	971
POWER	Voltage	34V			
	Drive Current	225mA			
	Circuit Power (typ)	8.6W			

Binning SDCM (Hot)	2	
CRI (typ)(R9)	98 (99)	
TM30 Rf Rg	Rf 97.7 Rg 100.4	
Lifetime (TM21)	L90 B5 50,000hrs (inc driver)	
Lifetime (Calculated)	L70 426,000hrs	
DRIVER	Protocols	Mains Dim / DALI / 0-10V / Non-dim
	Dim to Dark	0.1% Lux
	Distance from LED	20m / 65' (series wiring)
	Emergency	Emergency packs available

SPECIFICATION CODE

Engine type	Bezel	Colour Temp	Driver	Beam Width	Bezel Colour	Baffle Colour	Options
NE	-ONE-	27	M	M	- W -	BB	- F 54 E
		27 / 2700K 30 / 3000K 40 / 4000K	M / Mains Dim D / DALI 0 / 0-10v N / Non Dim X / No Driver	N / Narrow M / Medium W / Wide F / Flood	W / White RAL 9010 D / White RAL 9003 E / White RAL 9016 B / Black RAL 9005 C / Other RAL G / Polished Brass J / Antique Bronze K / Brushed Chrome L / Polished Chrome I / Polished Copper Z / Other Metallic	BB / Black 9005 WB / White 9010 DB / White 9003 EB / White 9016 CB / Other RAL MB / Polished Brass JB / Antique Bronze KB / Brushed Chrome LB / Polished Chrome IB / Polished Copper ZB / Other Metallic	F / 60 min Fire Rated Plate 54 / IP54 65 / IP65 P / Sea & Spa IP65 *C / Constant Torsion T / Lockable Tilt & Rotate J / Plaster-In Plate E / 3hr Emergency H / Honeycomb N / Frosted Lens Z / LSZH Cable K / Click Connector

*NOTE: Fire Hood if used with constant torsion springs