

erluna

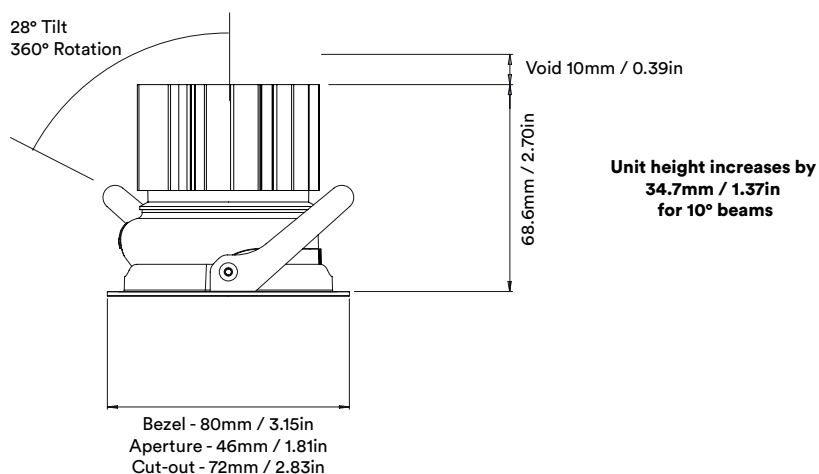
**one adjustable
origin natural
high output**

circular product

  IP65
IP54  

**one adjustable
origin natural high output**

circular product



one adjustable origin natural high output

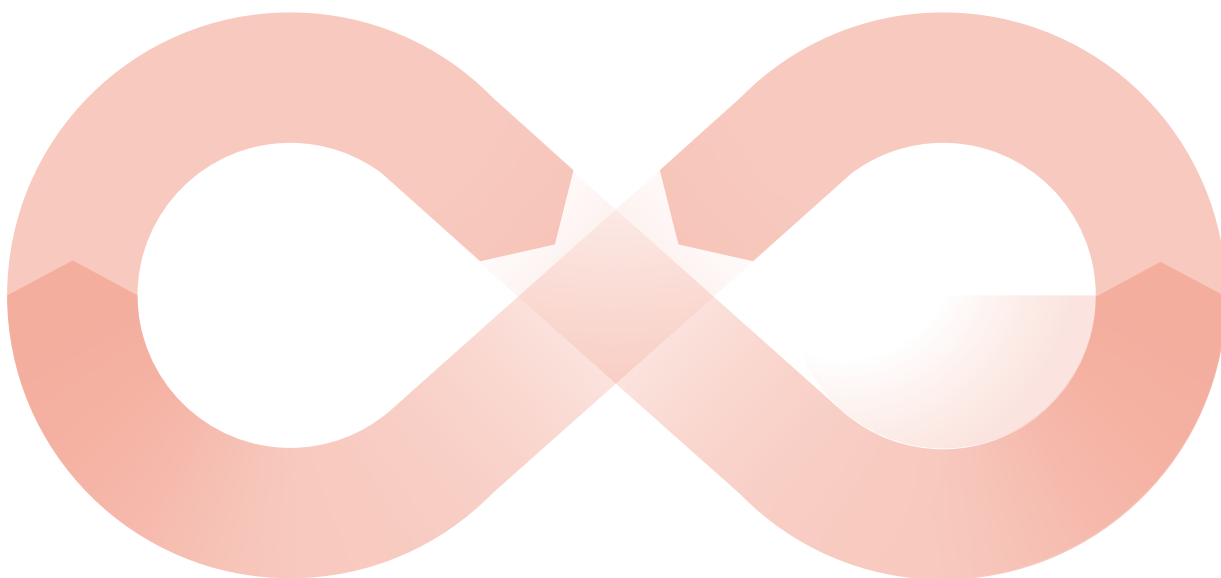
circular product

When an old Orluna light comes to the end of its life, or is faulty, instead of throwing it away, we kindly ask you to return it to us.

1

The fully repaired and tested product enters back into our stock – with a brand new warranty.

3



The 'new' light fitting is despatched to a new customer.

4

Once we've received the unwanted or faulty fitting, it's dismantled, repaired and renewed with a new LED and PCB.

2



one adjustable origin natural high output

circular product

		2700K				
		SPOT	SOFT			
LIGHT VALUES		Spot	Narrow	Medium	Wide	Flood
	Beam Width FWHM	10°	18°	25°	34°	52°
	Initial Lumens	953	1186	1186	1186	1186
	Engine Lumens	357	985	989	949	1023
	Luminaire Lumens	351	905	864	888	845
	Engine Lm/W	29	79	79	76	82
	Luminaire Cd	9911	6187	3500	2463	1377
POWER	Voltage	36V	34V			
	Drive Current	300mA	325mA			
	Circuit Power (typ)	12.2W	12.5W			

		3000K				
		SPOT	SOFT			
LIGHT VALUES		Spot	Narrow	Medium	Wide	Flood
	Beam Width FWHM	10°	18°	25°	34°	52°
	Initial Lumens	984	1233	1233	1233	1233
	Engine Lumens	368	998	1001	985	1060
	Luminaire Lumens	359	911	897	890	865
	Engine Lm/W	30	80	80	79	85
	Luminaire Cd	9755	6314	3586	2412	1399
POWER	Voltage	36V	34V			
	Drive Current	300mA	325mA			
	Circuit Power (typ)	12.2W	12.5W			

Binning	SDCM (Hot)	2
CRI (typ)(R9)		98 (99)
TM30 Rf Rg		Rf 97.7 Rg 100.4
Lifetime (TM21)		L90 B5 50,000hrs (inc driver)
DRIVER	Protocols	Mains Dim / DALI / 0-10V / Non-dim
	Dim to Dark	0.1% Lux
	Distance from LED	20m / 65' (series wiring)
	Emergency	Emergency packs available

SPECIFICATION CODE

Engine type	Bezel	Colour Temp	Driver	Beam Width	Bezel Colour	Baffle Colour	Options
NH	-ONE-	27	M	M	- W -	BB	F 54 E
		27 / 2700K 30 / 3000K 40 / 4000K	M / Mains Dim D / DALI 0 / 0-10v N / Non Dim X / No Driver	S / Spot N / Narrow M / Medium W / Wide F / Flood	W / White RAL 9010 D / White RAL 9003 E / White RAL 9016 B / Black RAL 9005 C / Other RAL G / Polished Brass J / Antique Bronze K / Brushed Chrome L / Polished Chrome I / Polished Copper Z / Other Metallic	BB / Black 9005 WB / White 9010 DB / White 9003 EB / White 9016 CB / Other RAL MB / Polished Brass JB / Antique Bronze KB / Brushed Chrome LB / Polished Chrome IB / Polished Copper ZB / Other Metallic	F / 60 min Fire Rated Plate 54 / IP54 65 / IP65 P / Sea & Spa IP65 *C / Constant Torsion J / Lockable Tilt & Rotate J / Plaster-In Plate E / 3hr Emergency H / Honeycomb N / Frosted Lens Z / LSZH Cable K / Click Connector

*NOTE: Fire Hood if used with constant torsion springs