

shallow trimless track 48v installation

1 - TS-x-1

CODE	L mm [ft]
TS-x-1	1000 [3.28']
TS-x-2	2000 [3.28']
TS-x-3	3000 [3.28']

2 - use

trimless

3 - trimless fixing

1

2

3

4

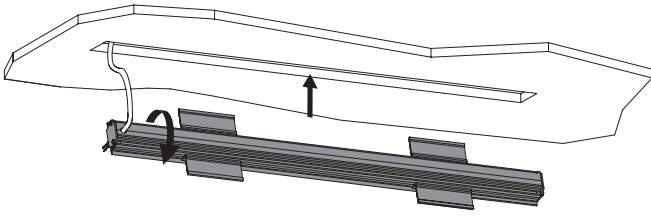
5

6

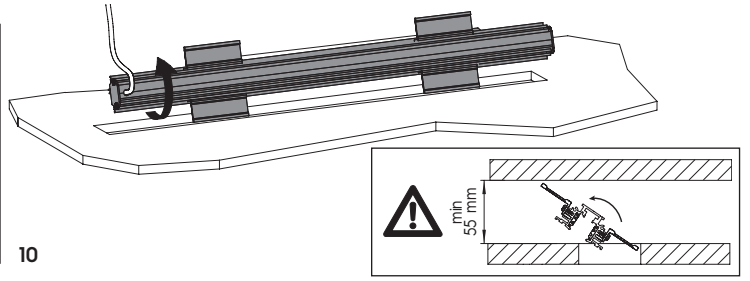
7

8

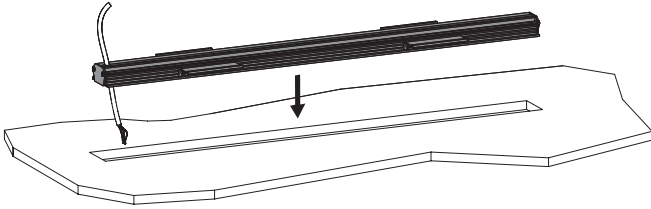
9



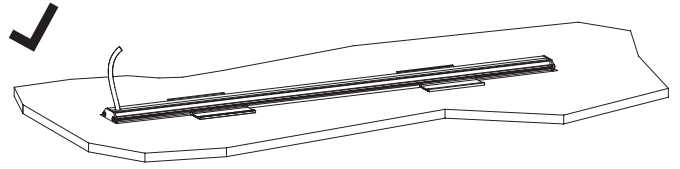
10



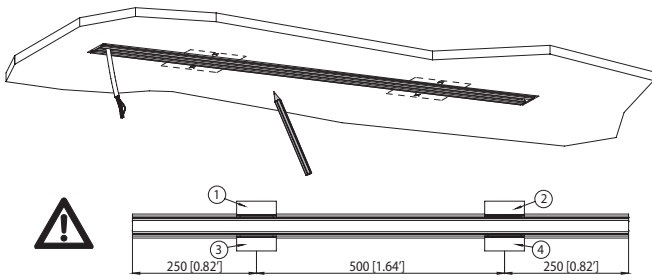
11



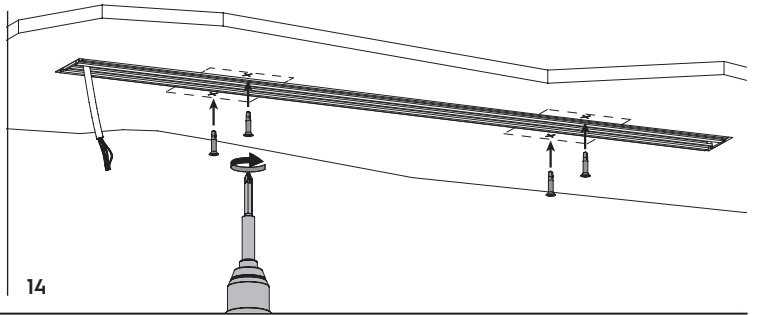
12



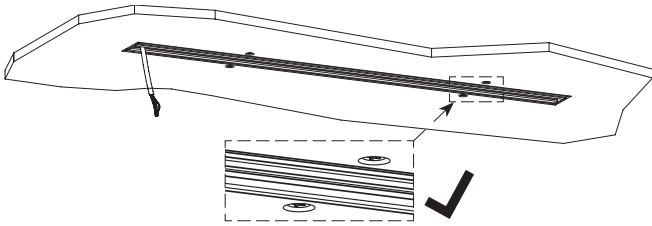
13



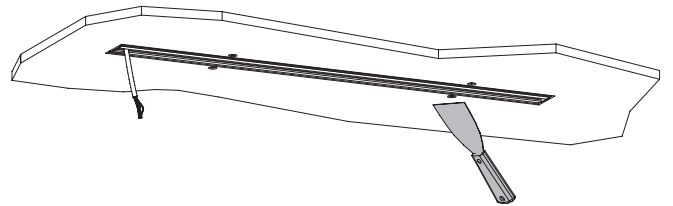
14



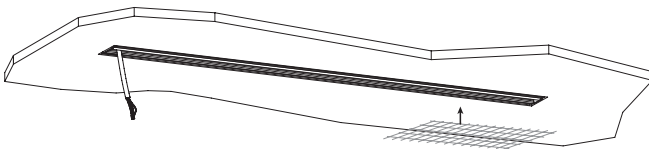
15



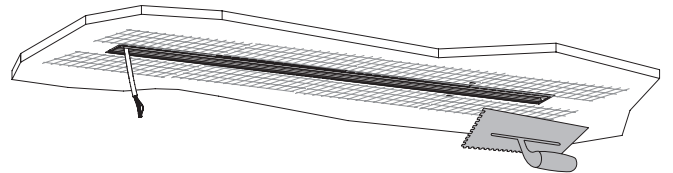
16



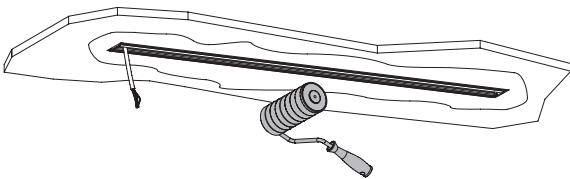
17



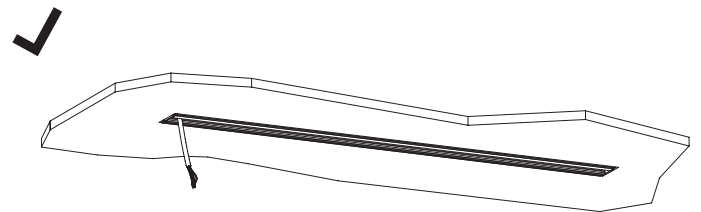
18



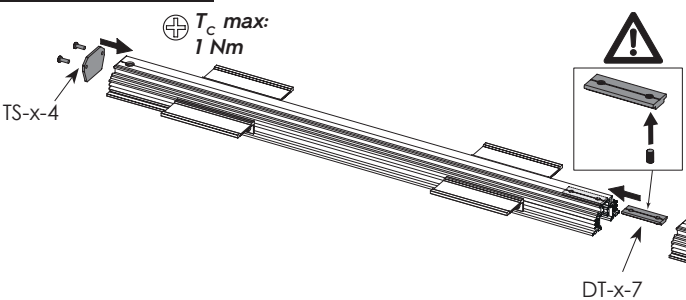
19



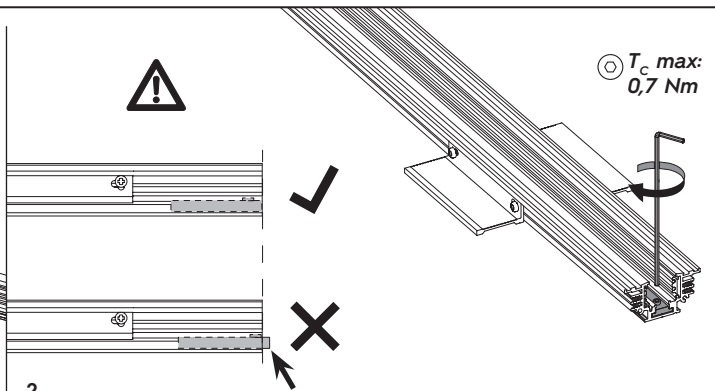
20



4 - in row use



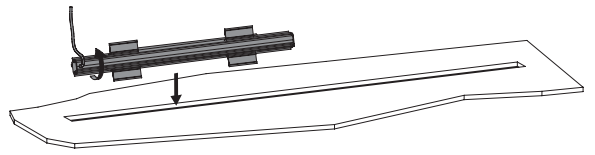
1



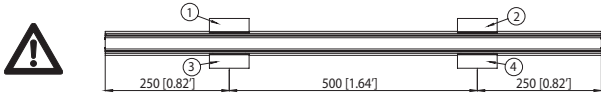
2



3



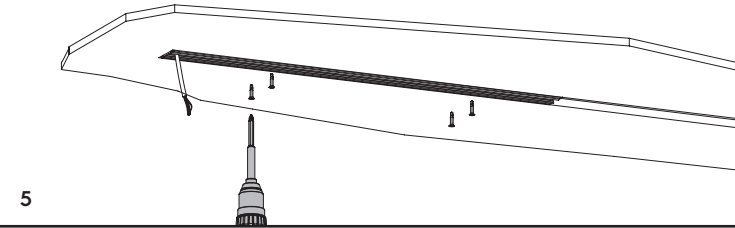
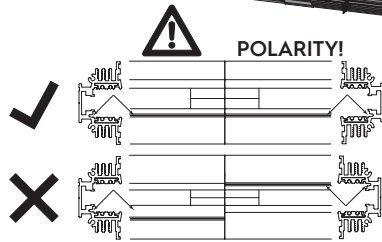
4



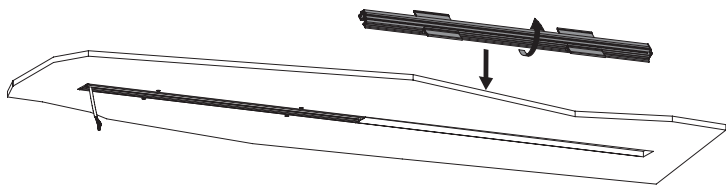
5



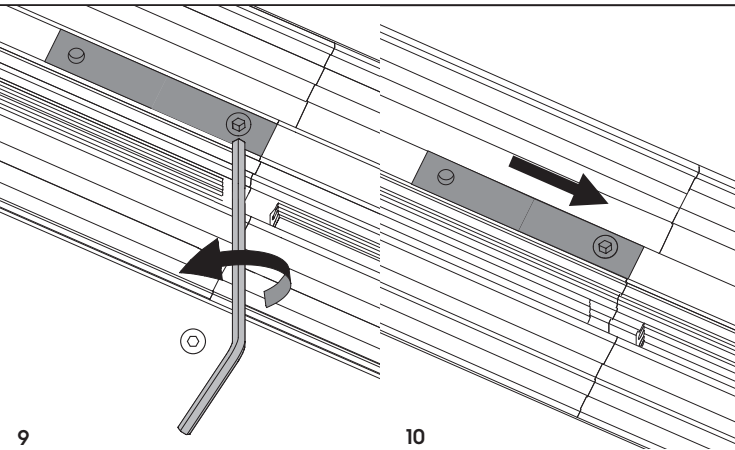
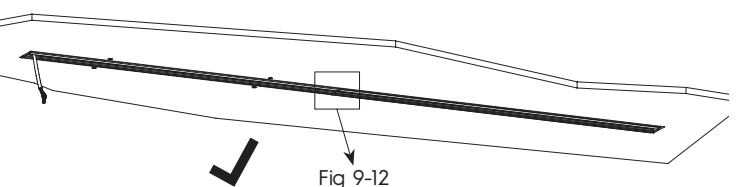
6



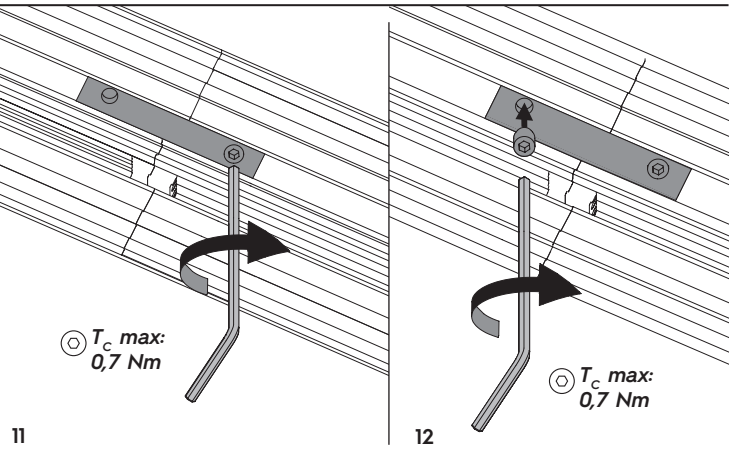
7



8

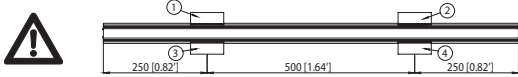


9

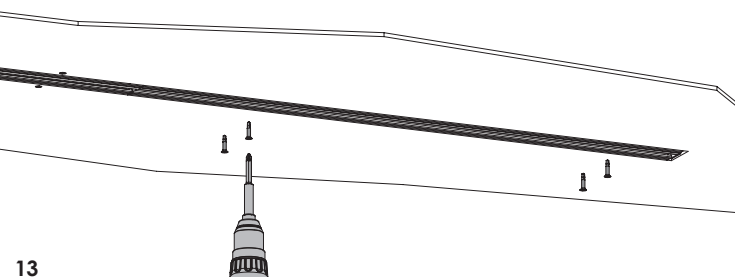


11

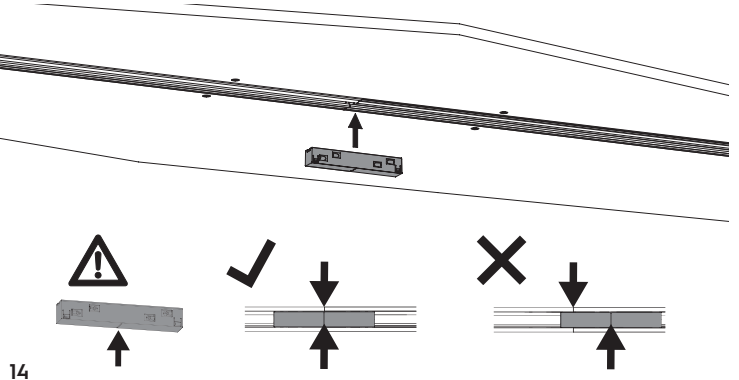
12



13

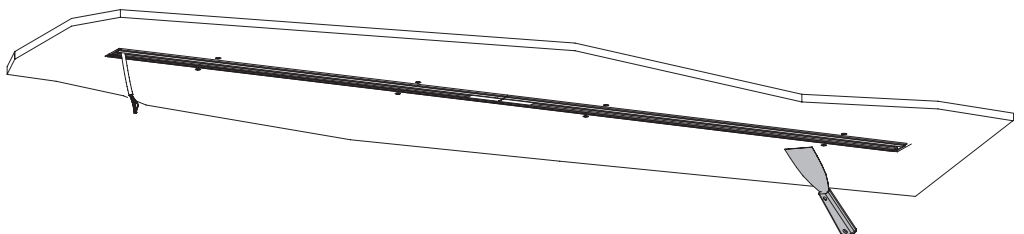


14

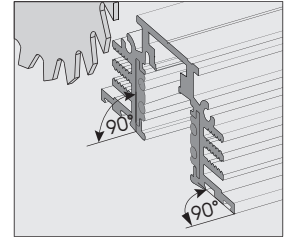
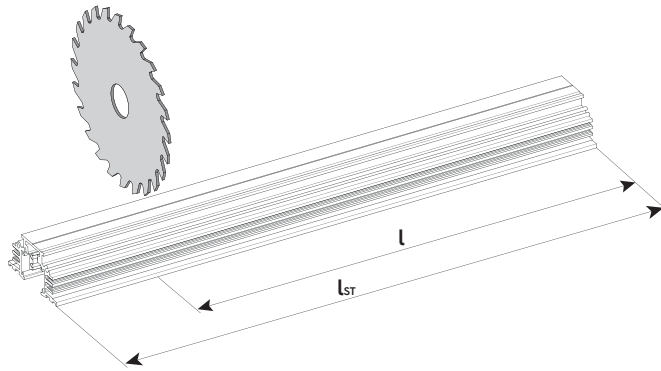
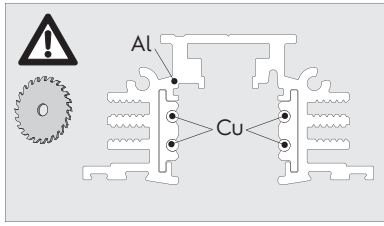


→ 3 trimless fixing
fig. 16

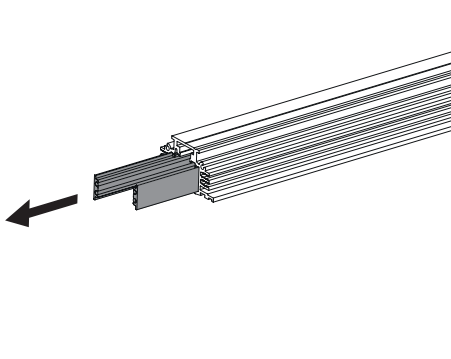
15



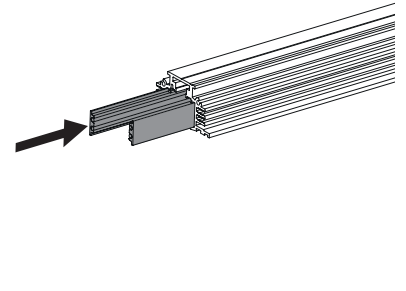
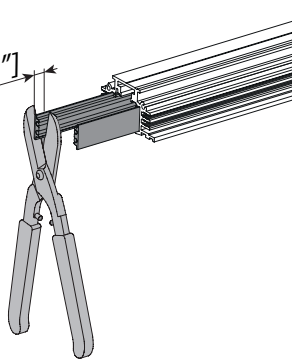
3 - cutting



1



5mm [0.2"]

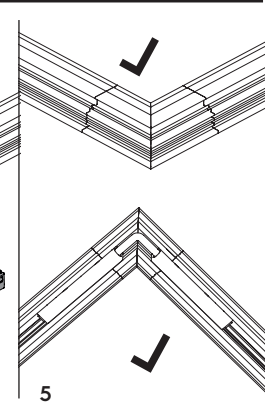
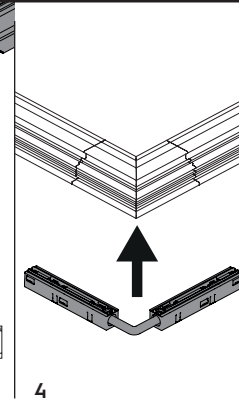
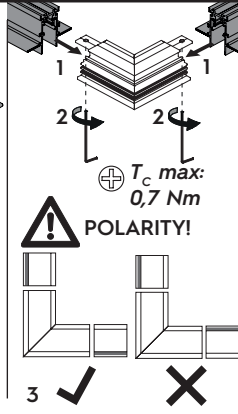
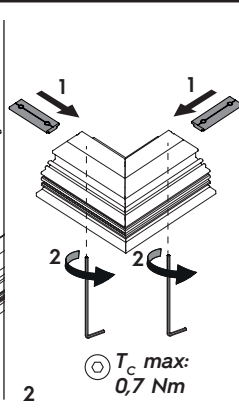
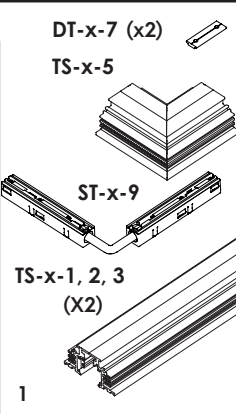
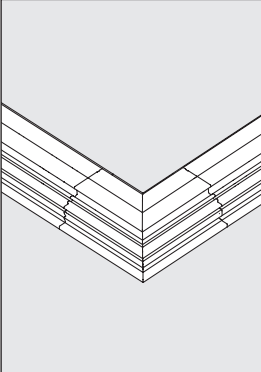


2

3

4

6 - TS-x-5



1

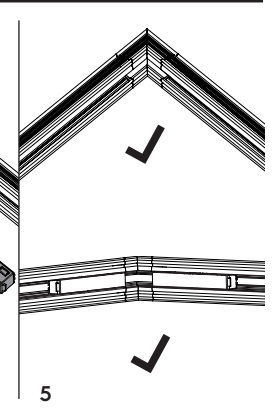
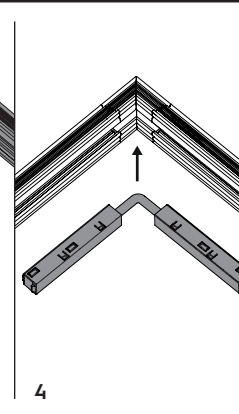
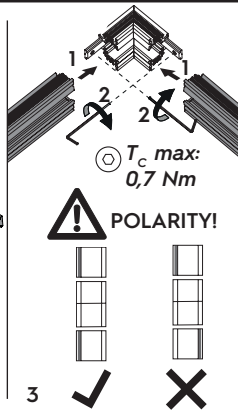
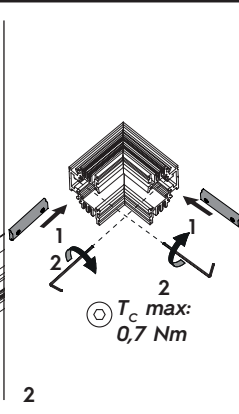
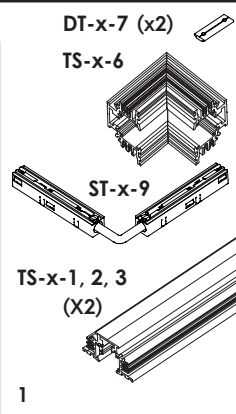
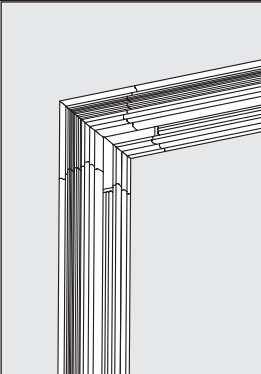
2

3

4

5

8 - TS-x-6



1

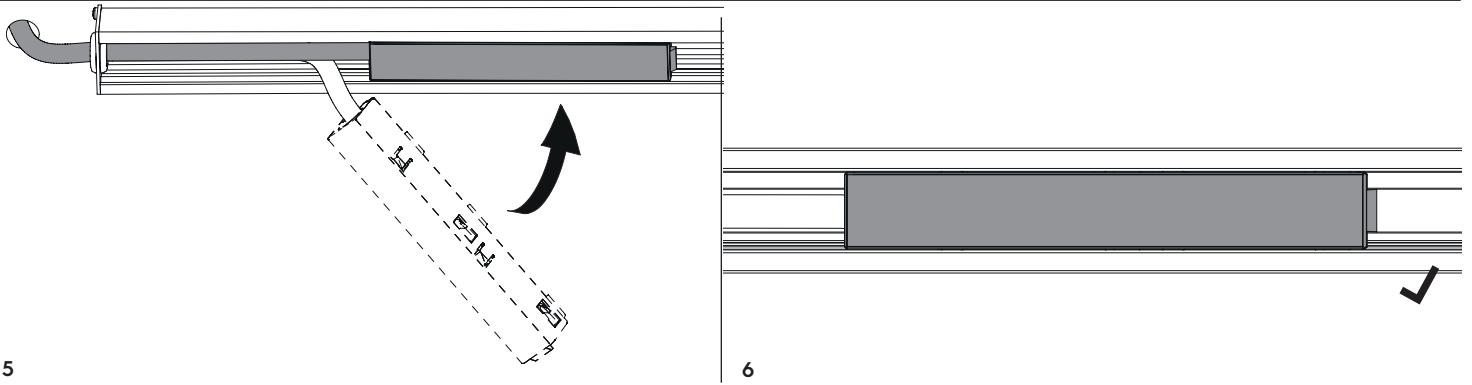
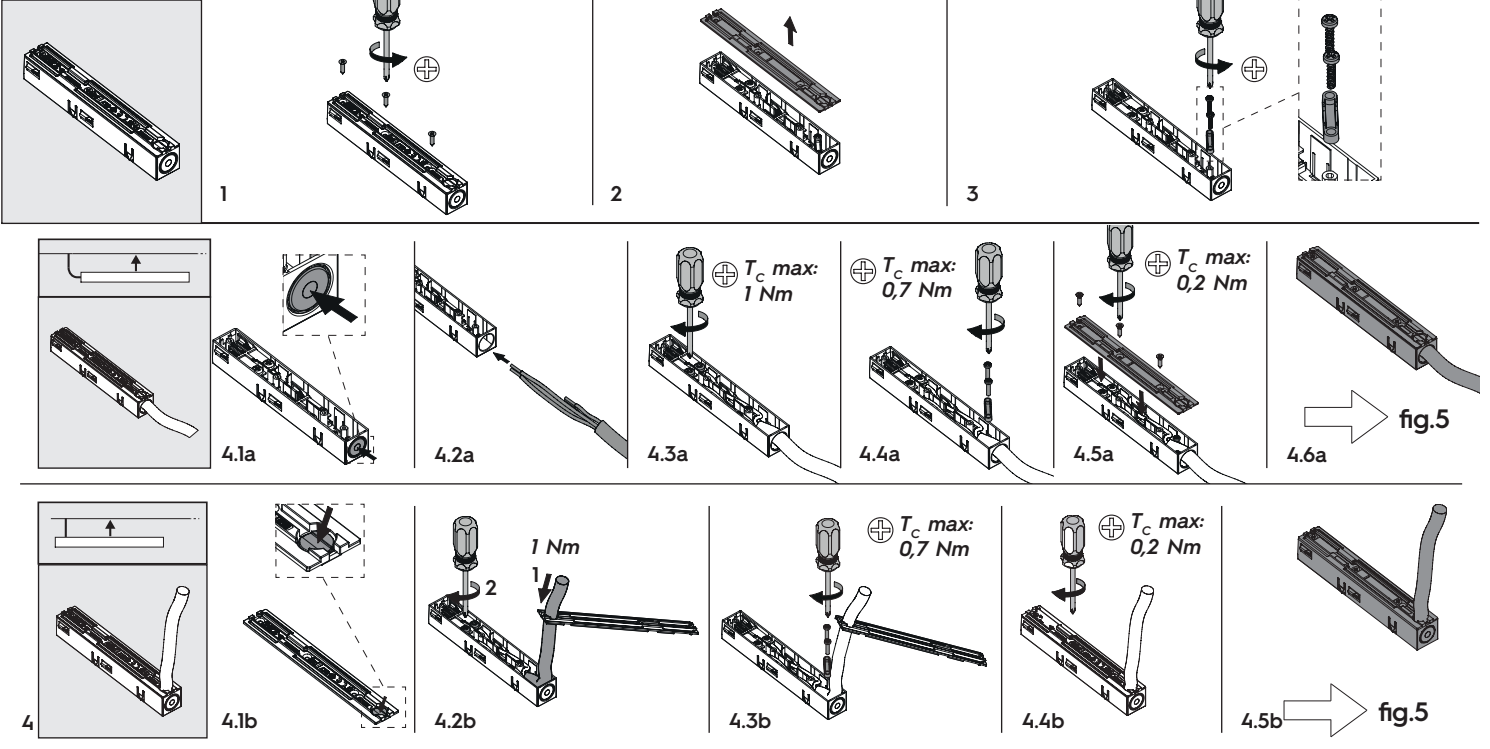
2

3

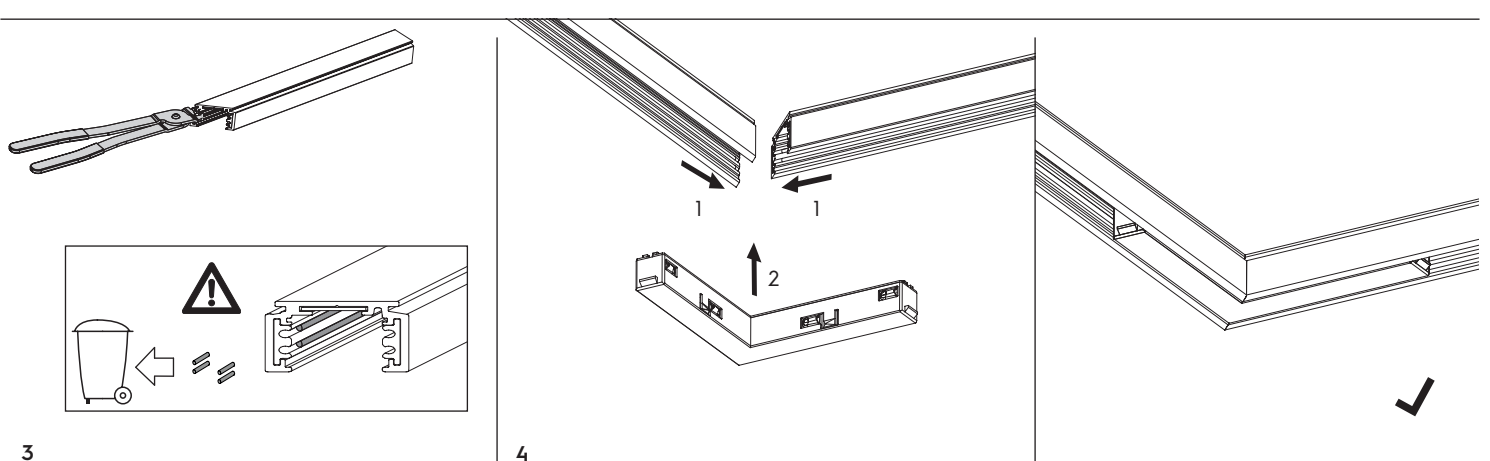
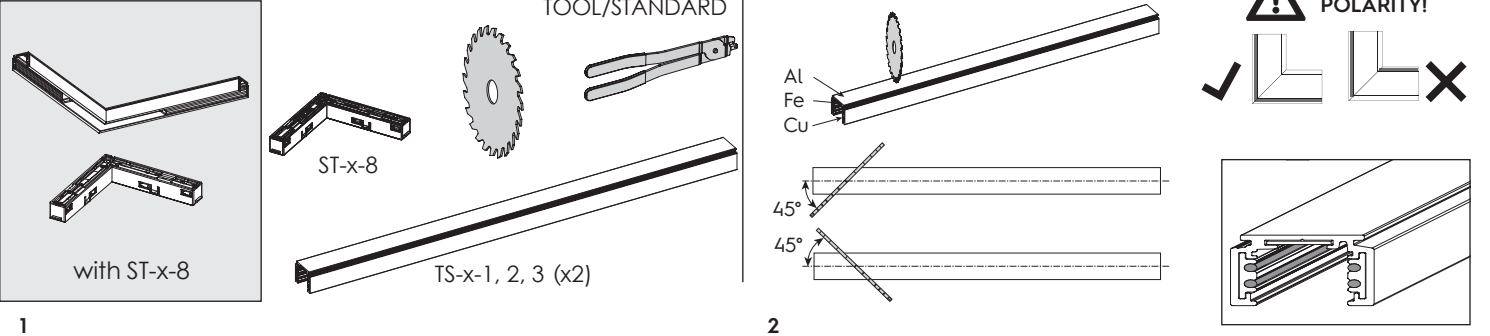
4

5

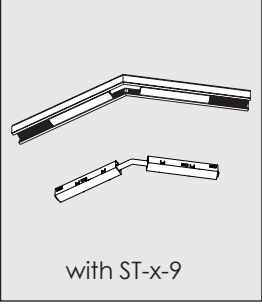
7 - ST-x-6



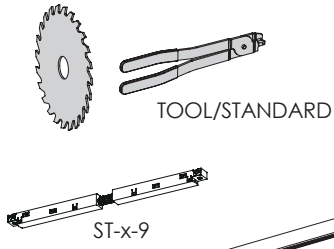
8 - 90° angle



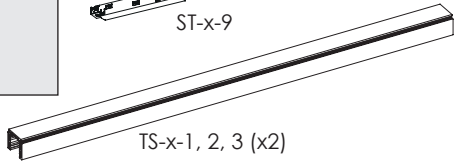
9 - ≠ 90° angle



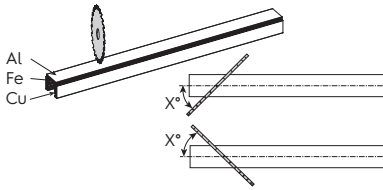
1



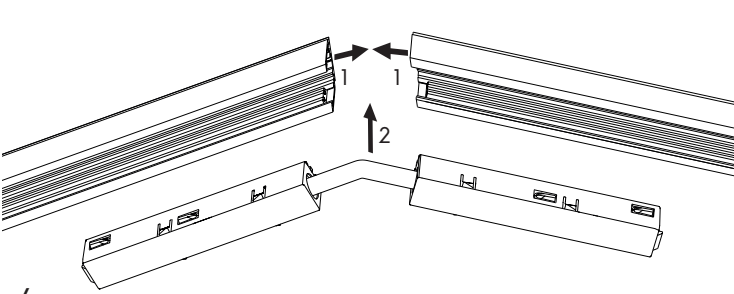
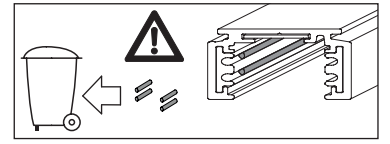
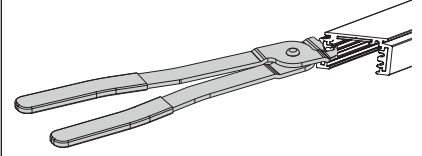
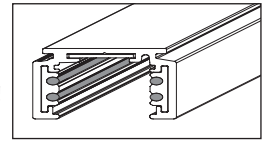
ST-x-9



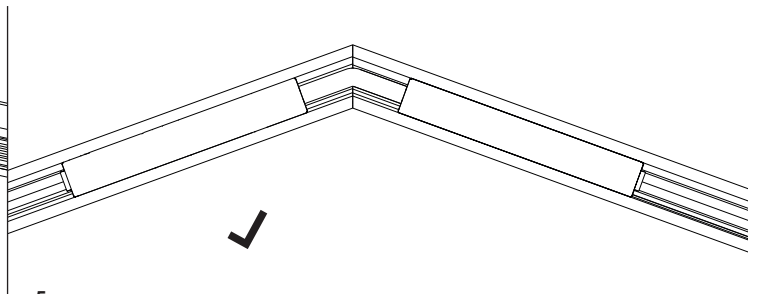
TS-x-1, 2, 3 (x2)



2



4

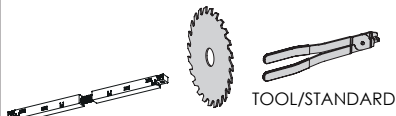


5

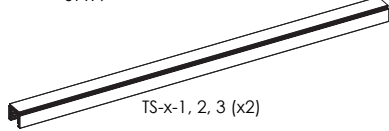
10 - wall ceiling 90° angle



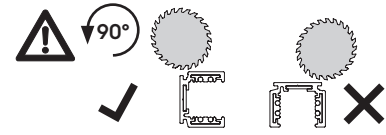
1



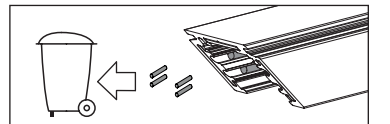
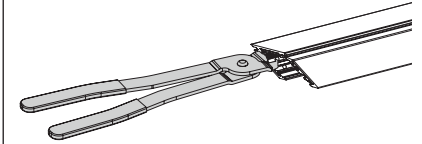
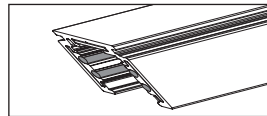
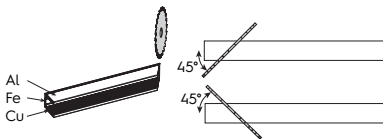
ST-x-9



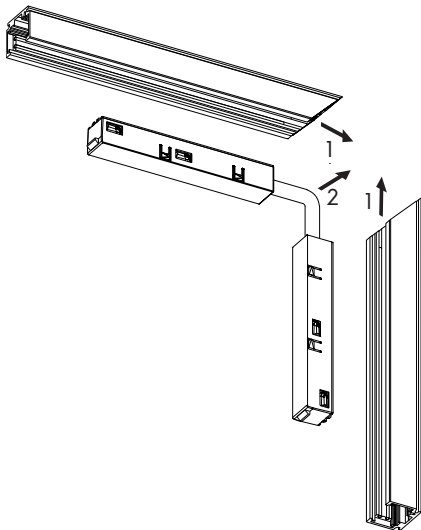
TS-x-1, 2, 3 (x2)



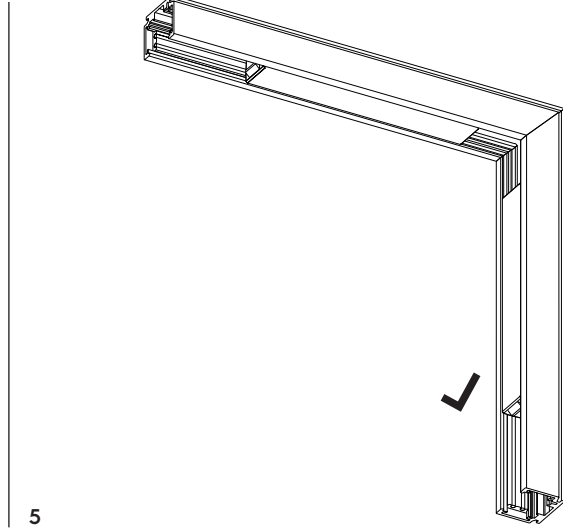
2



3



4



5